

EXM-150 Series
Monocular Microscope



ACCU-SCOPE®

MICROSCOPY & IMAGING SOLUTIONS



Empowering Discovery. Advancing Results.



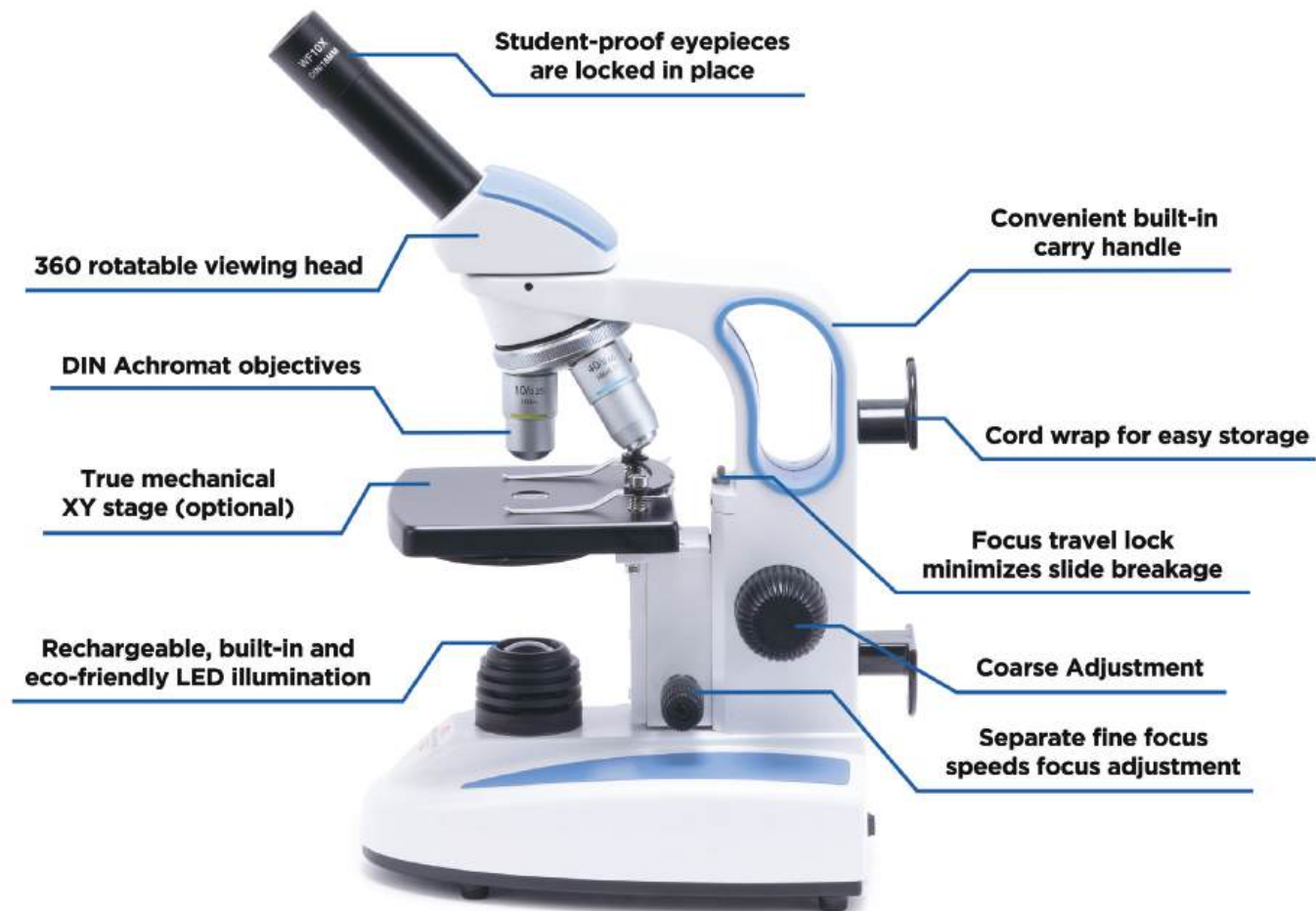
The ACCU-SCOPE EXM-150 series monocular microscopes are easy to use and student friendly. Highly portable with a built-in carry handle, cord wrap, and rechargeable LED illumination, the EXM-150 microscope is available in a variety of configurations tailored to meet your needs.

MODEL	STAGE	CONDENSER	TEACHING HEAD	100X OIL IMMERSION OBJECTIVE
EXM-150	Clips	Disc	-	N/A
EXM-150-T	Clips	Disc	Inclined	N/A
EXM-150-VT	Clips	Disc	Vertical	N/A
EXM-150-I	Clips	Iris	-	N/A
EXM-150-IT	Clips	Iris	Inclined	N/A
EXM-150-IVT	Clips	Iris	Vertical	N/A
EXM-150-MS	X-Y Mechanical	Iris	-	N/A
EXM-150-MST	X-Y Mechanical	Iris	Inclined	N/A
EXM-150-MSVT	X-Y Mechanical	Iris	Vertical	N/A
EXM-151	X-Y Mechanical	Abbe	-	Yes
EXM-151-T	X-Y Mechanical	Abbe	Inclined	Yes
EXM-151-VT	X-Y Mechanical	Abbe	Vertical	Yes

Available with monocular, dual-inclined or vertical teaching heads



Select either 5-aperture disc, adjustable iris diaphragm, or Abbe condenser options for your convenience and performance.

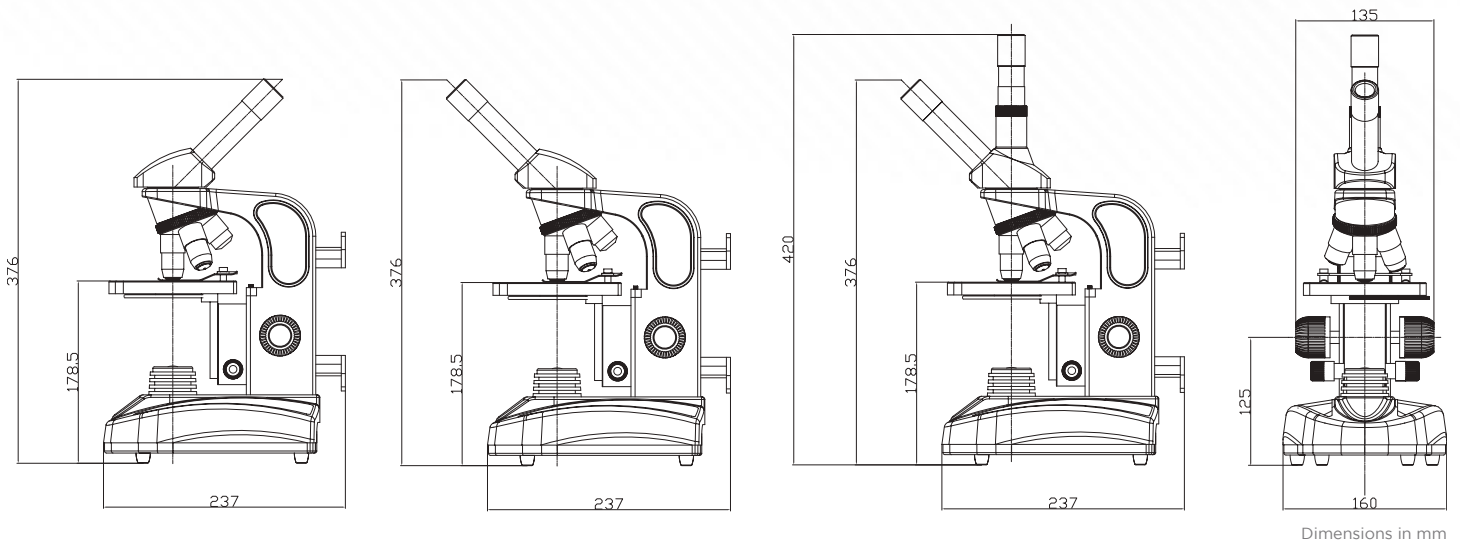


EXM-150 Monocular Microscope

SPECIFICATIONS

Viewing Head	Monocular, dual inclined or inclined/vertical teaching head, inclined 45°; rotatable 360°
Observation Method	DIN Optical System, f = 160mm
Objectives	Standard configuration includes DIN Achromat 4x, 10x, and 40xR* objectives; EXM-151 models also include a 100xR* oil immersion objective (*spring-loaded)
Eyepieces	WF10x eyepieces, 18mm field of view with pointer; eyepieces are locked-in to prevent classroom tampering
Nosepiece	Rear facing three-hole, ball-bearing nosepiece with positive click stops to ensure parcentration; a quadruple nosepiece is provided on the EXM-151 models
Focusing System	Separate coarse and fine focus adjustment controls; a tension adjustment is on the coarse control; a built-in slip clutch system and pre-set focus stop prevents accidental damage to objectives and slides
Stage	119mm x 119mm with stage clips, or factory-installed double-plate mechanical stage with low position controls and iris diaphragm
Condenser	N.A. 0.65 condenser with five aperture disc or iris diaphragm depending on the model; an N.A. 1.25 Abbe condenser with iris diaphragm on a spiral mount is supplied on all EXM-151 models
Illumination	Variable and rechargeable LED illuminator; LED illuminators last approximately 4 hours on a single charge and the expected bulb life is 20,000 hours; three AA 1300mAh 1.2v NiMH (Nickel Metal Hydride) rechargeable batteries included
Stand	Cast aluminum alloy with built-in carry handle and cord hanger
Power	Universal power supply (built-in), input 90-240VAC; built-in 4.5V/1000A charger for NiMH batteries
Accessories	Dust cover, instruction manual included
Optional Accessories	Viewing Heads: dual inclined or inclined/vertical teaching head Eyepieces: 20x/12mm Objectives: 20x, 60xR*, 100xR* oil (*spring-loaded)
Warranty	5 year limited warranty for parts, labor and electronic components. 1 year warranty on LED bulb

EXM-150 Dimensional Drawing



Copyright © 2022 ACCU-SCOPE Inc. All rights reserved. Printed in the U.S.A.
ACCU-SCOPE Inc. reserves the right to change and improve specifications without notice due to technological or manufacturing advances.





ACCU-SCOPE®

MICROSCOPY & IMAGING SOLUTIONS

EXM-150 Series
Digital Microscopes

Robust educational microscopes with digital cameras to facilitate interactive learning.

Choose from USB & WiFi options.



EXM-150-EP
(w/ACCU-CAM 500 EP
eyepiece camera)



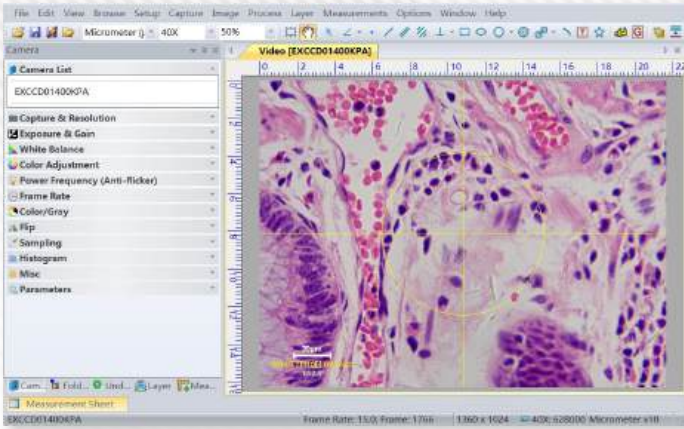
EXM-150-T-WIFI
(w/ACCU-CAM WiFi™
WIFI+USB camera)



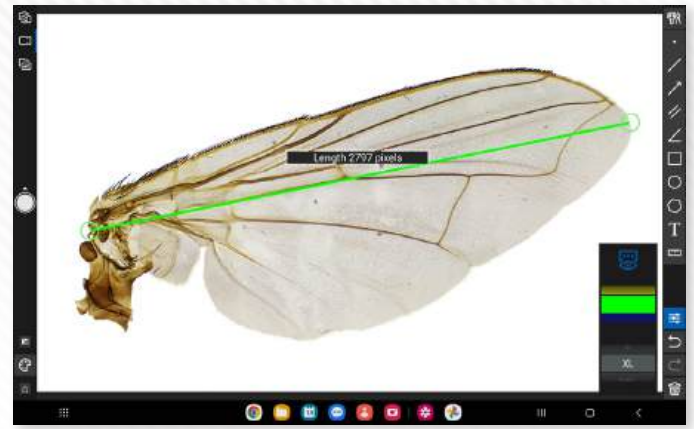
EXM-151-VT-WIFI
(w/ACCU-CAM WiFi™
WIFI+USB camera)

Empowering Discovery. Advancing Results.

EXM-150 Digital Microscopes



Screenshot of AccuView PC software



Screenshot of AccuView mobile app
(ACCU-CAM WIFI only)

MODELS	VIEWING HEAD	CAMERA	CONDENSER	STAGE	100x OIL OBJECTIVE
EXM-150-EP	Monocular	ACCU-CAM 500 EP	Disc	Stage Clips	No
EXM-150-T-EP	Inclined Teaching	ACCU-CAM 500 EP	Disc	Stage Clips	No
EXM-150-VT-EP	Vertical Teaching	ACCU-CAM 500 EP	Disc	Stage Clips	No
EXM-150-WIFI	Monocular	ACCU-CAM WiFi	Disc	Stage Clips	No
EXM-150-T-WIFI	Inclined Teaching	ACCU-CAM WiFi	Disc	Stage Clips	No
EXM-150-VT-WIFI	Vertical Teaching	ACCU-CAM WiFi	Disc	Stage Clips	No
EXM-151-EP	Monocular	ACCU-CAM 500 EP	Abbe, iris diaphragm	Mechanical	Yes
EXM-151-T-EP	Inclined Teaching	ACCU-CAM 500 EP	Abbe, iris diaphragm	Mechanical	Yes
EXM-151-VT-EP	Vertical Teaching	ACCU-CAM 500 EP	Abbe, iris diaphragm	Mechanical	Yes
EXM-151-WIFI	Monocular	ACCU-CAM WiFi	Abbe, iris diaphragm	Mechanical	Yes
EXM-151-T-WIFI	Inclined Teaching	ACCU-CAM WiFi	Abbe, iris diaphragm	Mechanical	Yes
EXM-151-VT-WIFI	Vertical Teaching	ACCU-CAM WiFi	Abbe, iris diaphragm	Mechanical	Yes

CAMERAS	ACCU-CAM 500 EP	ACCU-CAM WIFI
Mounting	Eyepiece or phototube, no adapter required	Eyepiece or phototube, 0.5x adapter required
Resolution	5.1MP	2.0MP
Frame Rate	26fps @ 2592x1944	50fps @ 1920x1080
Connectivity	USB 2.0	WiFi, USB 2.0
Power Source	From USB 2.0 connection to computer	WiFi mode: USB connection to 110V power adapter USB mode: USB connection to computer
Software & Features	Windows PC and Mac ACCU-View: Advanced camera control; snapshot and video capture; calibration, measurement and annotation; image processing ACCU-ViewLITE: Basic camera controls; snapshot and video capture; calibration and measurement	



Copyright © 2023 ACCU-SCOPE Inc. All rights reserved. Printed in the U.S.A.
ACCU-SCOPE Inc. reserves the right to change and improve specifications without notice due to technological or manufacturing advances.



V081823

See the TRUE and ACCURATE Representation of Your Samples!

Microorganisms often have very little to no coloration, so they are difficult to see with traditional microscopy methods.

Darkfield works differently. Any object in the sample, including microorganisms, will scatter light. This light enters the microscope objective and is seen as a bright object on a dark background (darkfield). The background is dark because there is nothing present to scatter the light into the objective.

View Your Samples in a Different Light!

Darkfield is available as an easy-to-use swing-in/swing-out accessory that mounts to the bottom of the condenser of your microscope.

The ACCU-SCOPE darkfield annulus (CAT# 150-3220) is available on the EXC-120 and EXC-100 series microscopes and select models of the EXM-150 series.

